

Trabon® MD Divider Valves



DESCRIPTION

Trabon® MD Divider Valves are designed for use with series progressive oil and grease lubrication systems. They are of two piece, steel construction with O-ring seals. MD Valves will serve either 2, 3, 4, or 6 points of lubrication.

The 2, 3, and 4 point divider valves require .080 in.³ to complete one full cycle. An MD-2 divider valve will divide this volume into two outputs of 0.040 in.³. An MD-3 divider valve will divide this volume into two outputs of 0.020 in.³ and one of 0.040 in.³. An MD-4 will divide this volume into four outputs of 0.020 in.³. An MD-6 divider valve requires 0.060 in.³ to complete one full cycle and will divide this volume into 6 outputs of 0.010 in.³ each. See figure 1.

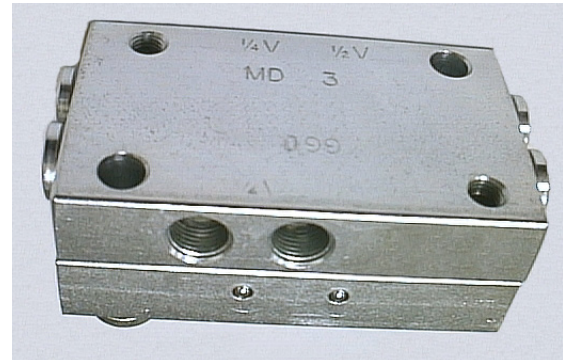
FEATURES

- Delivers metered amount of lubricant.
- Economical and compact design.
- Simple to install on new or existing machines.
- Has fitted pistons in honed bores.
- Bolt together construction with O-ring seal between sections.

Note: If it is desired to use performance indicators with MD Divider Valves, a tee, Part No. 556419 (412-380-010) is required for each outlet.

OPERATION

The MD Divider Valve is a self-contained, multiple outlet, series progressive valve. The term progressive means that each piston completes its stroke, discharging a measure amount of lubricant to the lube point it serves before the following piston operates. As long as lubricant is supplied under pressure to the inlet section, each piston will continue to operate in a progressive manner. Whenever lubricant flow ceases, the valving pistons will stop. When flow resumes the pistons will start again at the same point in the discharge cycle.



HOW TO ORDER

Model	Part Number (Old P/N)		
	Divider Valve	With Cycle Indicator Pin (Right Side)	With Cycle Indicator Cycle Switch and bracket
MD-2	562656 (103-000-131)	562653 (103-000-041)	563270 (510-446-020)
MD-3	562657 (103-000-141)	562654 (103-000-051)	563271 (510-446-030)
MD-4	562658 (103-000-151)	562655 (103-000-061)	564356 (510-446-040)
MD-6	562659 (103-000-510)	–	–

REPAIR PARTS

Description	Part No.	Old Part No.
End Plug Ass'y (for Cycle Indicator)	563555	534-182-002
Indicator Pin	557720	527-000-800
Enclosure Plug	557506	510-679-005
Enclosure Plug Gasket	557507	510-681-000
Assembly Bolts	556512	419-140-040
O-Ring	556540	422-010-060
Cycle Switch	557781	529-726-001

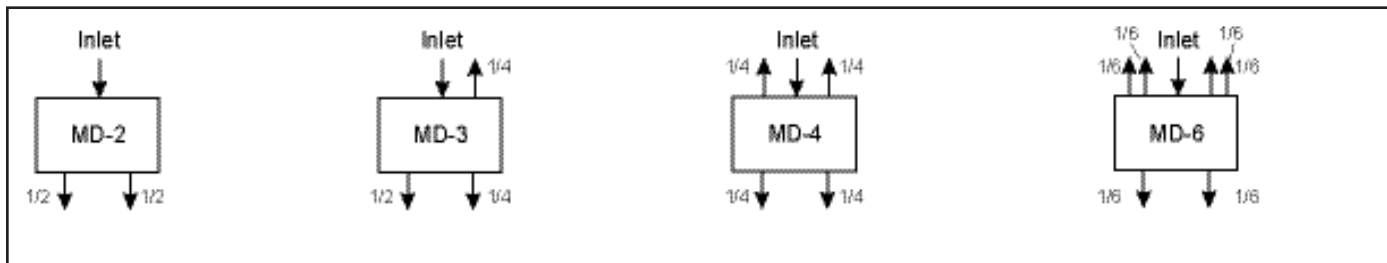


Figure 1. Lubricant Volume Division.

DIMENSIONS Inches (mm)

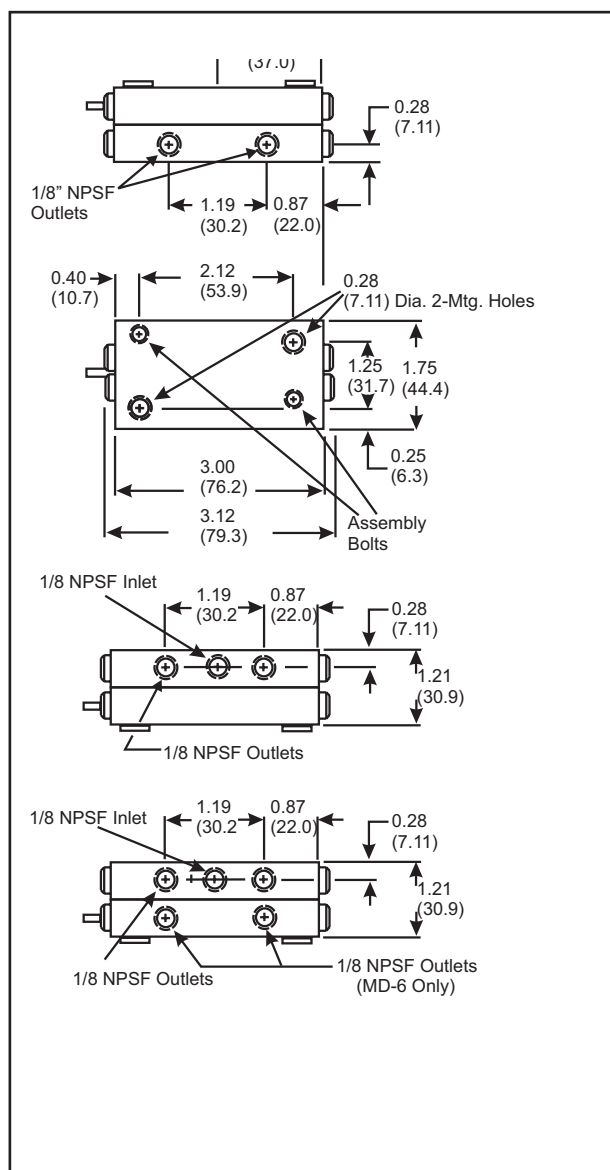
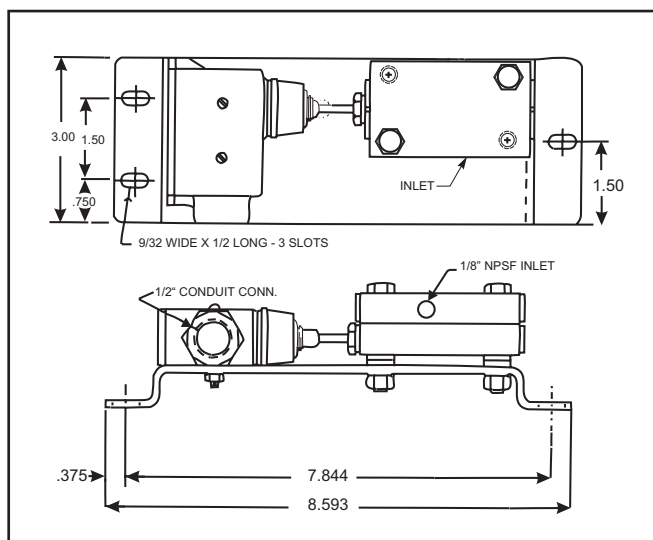


Figure 2. Outline and Mounting Dimensions.



SPECIFICATION

Material	Steel
Pressure (max)	3,000 psi (207 bar)
Lubricant	Oil or Grease
Net Weight (approx)	1 lb 8 oz (0.68 kg)
Cycle Indicator Available	See How To Order
Volume	(Lubricant to cycle divider valve one complete cycle)
MD-2, MD-3, MD-4	0.080 in ³ (1.31 ccm)
MD-6	0.060 in ³ (0.98 ccm)
Torque Ratings:	
Assembly Bolts	8-9 ft lbs
Enclosure Plugs	11-13 ft lbs
Indicator Plug	15 ft lbs
Outlet Plugs	6-7 ft lbs

Note: Divider systems should be limited to first and second stages only. Third staging is not recommended. Refer to Trabon bulletins L20101, L20105, and L20115 for further information on system design.

All written and visual data contained in this document are based on the latest product information available at the time of publication. Graco reserves the right to make changes at any time without notice.

Contact us today!

To receive product information or talk with a Graco representative, call 800-533-9655 or visit us online at www.graco.com.

